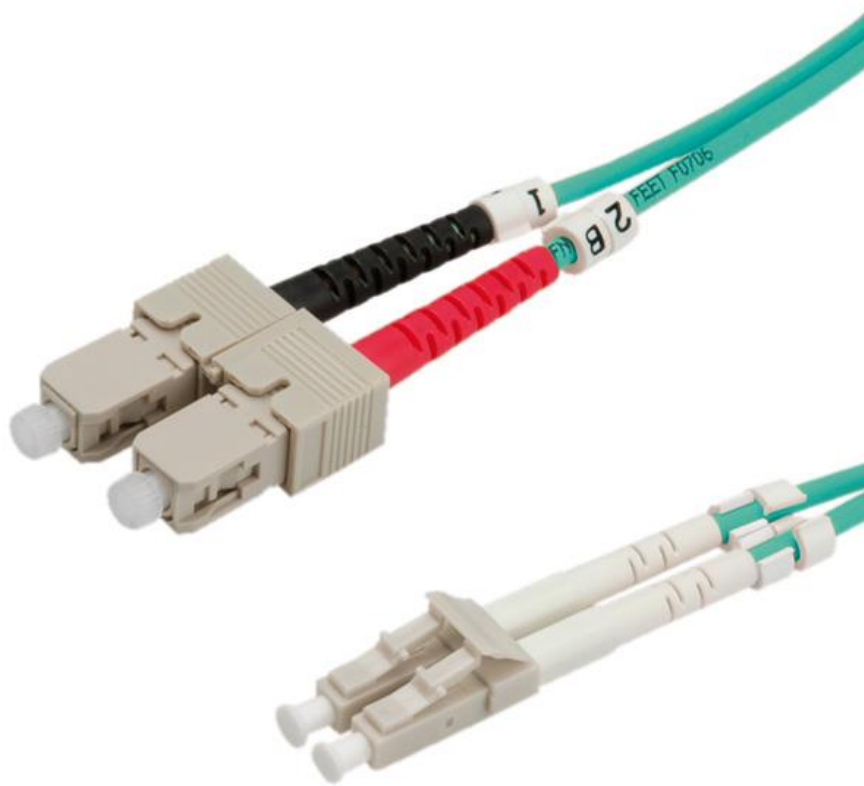




Datenblatt - Fiche technique - Data sheet

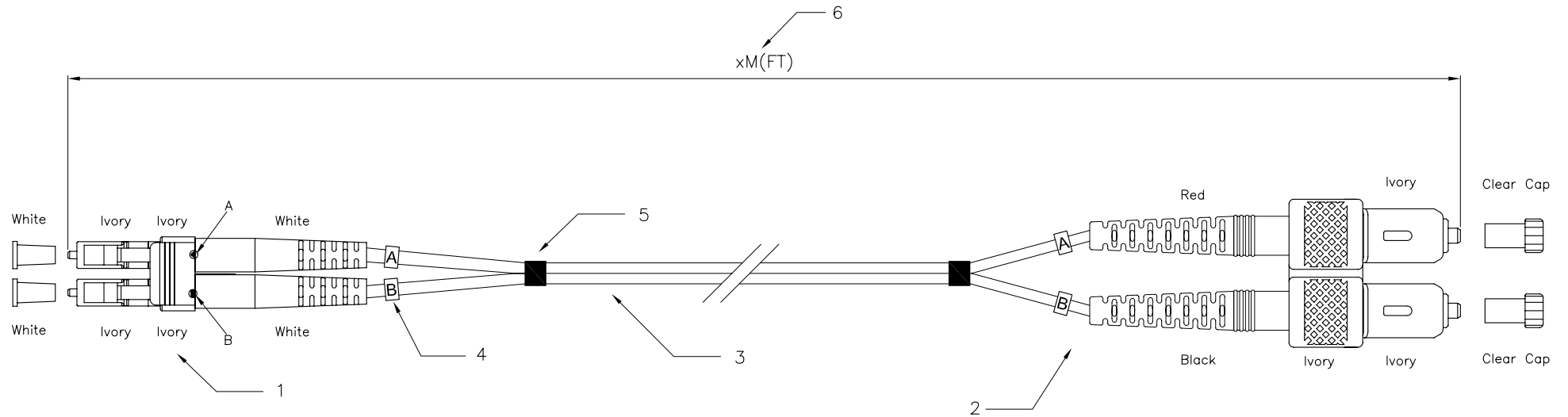
21.15.8715



ROLINE LWL-Kabel 50/125 μ m OM3, LC/SC, türkis, 5m

ROLINE Câble FO 50/125 μ m, LC/SC, OM3, turquoise, 5m

ROLINE Fibre Optic Jumper Cable, 50/125 μ m, LC/SC, OM3, turquoise, 5 m



Specification:

- 1. Connector Type : LC Multimode
- 2. Connector Type : SC Multimode
- 3. Cable Type :
 - 3-1 Zipcord Cable, ϕ 2.0mm, 50/125um Multimode.(OM3 Corning Fiber)
 - 3-2 Calbe Jacket : Aqua Color, PVC Material.
- 4. Cable Marker
- 5. Shrink Tube
- 6. Length : xM(FT)

Performance:

- a. Insertion Loss : <0.5 dB
- b. Fiber Extention : $-0.05\mu\text{m} < H < +0.05\mu\text{m}$
- c. ϕ 1.25mm Ferrule End-face Radius : $7 < R < 25\text{mm}$
 ϕ 2.5mm Ferrule End-face Radius : $8 < R < 25\text{mm}$
- d. Apex Offset : $< 50\mu\text{m}$
- e. Increase in insertion loss after 500 mating : 0.2 dB Max
- f. Operating Temperature : -20° to $+70^{\circ}$
- g. Storage Temperature : -40° to $+80^{\circ}$

Remack#

21.15.8710	MultiMode, LC-SC,50/125 um	0.5M
21.15.8711	MultiMode, LC-SC,50/125 um	1M
21.15.8712	MultiMode, LC-SC,50/125 um	2M
21.15.8713	MultiMode, LC-SC,50/125 um	3M
21.15.8715	MultiMode, LC-SC,50/125 um	5M
21.15.8718	MultiMode, LC-SC,50/125 um	10M

GENERAL TOLERANCE OF DIMENSIONS X.XXX ± 0.005 X.XX ± 0.05 X.X ± 0.1	DRAWING	07.JAN.2011	Abby	Rotronic Co.,LTd.	
	CHECK	07.JAN.2011	MAER		
	APPROVAL	07.JAN.2011	YTY		
		DATE	NAME	ITEM NO.: 21.15.XXXX 有吊卡	
	SCALE	1/1 (A4)	UNIT	mm	DES.: SC to LC Duplex patch cord
	DRAWING NO. SFNIE502331xxxx03001(SA1)				A1
	DRAWING CLASSIFICATION		S	SHEET 1 OF 1	